



**WRLEADING**



# **LEADING GROUP**

**We are proud our business is saving life.**





## WRLEADING救生筏 WRLEADING LIFERAFT

WRLEADING 品牌救生筏是以质量可靠，服务网络完备驰名世界。想到WRLEADING想到安全。我们拥有抛投式、吊放式、自扶正式、带顶蓬两面可用式等多个产品系列，额定乘员4到125人，同时获得多国船级社形式认可证书。一流的质量，富有竞争力的价格以及完善的全球化服务网络，为您提供一站式产品解决方案。我们坚持严谨的工作作风，因为我们提供的每一个产品，都有可能于危难之际挽救生命，我们以我们救助人命事业而自豪。

### 创新引领世界

WRLEADING 是中国的一家专业做安全救生设备的公司，成立于2005年，目标是以高品质和创新的安全产品来挽救生命。

### WRLEADING 价值观

**忠诚：**对职业的爱与专注，力求专业与国际化

**效率：**追求完美，直接有效的服务客户

**雄心：**远大的理想和宏伟的志愿，塑造强大内心

**坚持：**不忘初心，持之以恒的提高我们的服务

WRLEADING brand liferaft not only put quality as first also think service same important. It make WRLEADING means safety. Our liferafts include Throw over board, Davit launched, Self-righting, Canopied reversible series, etc. The assigned capacity is from 4 persons to 125 persons. We have got type approval certificates from several different Classification Societies. The first-class quality, competitive price and perfect global after-sale service network ensure us to provide you with one-stop product solution. We are serious since the each product we provide that would be possible to save people's life in the dangers. We are proud our business is saving life.

### WRLEADING-LEADING through innovation

WRLEADING is a professional safety company in China since 2005. With the aim of saving life by high quality and innovative of safety products.

### Our value

**Loyalty:** love of professional and focus, and strive to professional and international

**Efficiency:** the pursuit of perfect, effective service customers directly

**Ambition:** lofty ideal and ambitious volunteer, build a strong heart

**Determination:** don't forget to beginner's mind, constancy to improve our service





# 救生筏主体胶布 LIFERAFT RUBBER FABRIC



WRLEADING救生筏/艇主体胶布结合了世界一流的生产、检测设备和创新独特的生产工艺，同时加上丰富的员工队伍，为胶布质量提供了有力保证。

WRLEADING救生筏主体胶布经过了极限试验条件下的严格试验，同时在行业中领先获得中国船级社的型式认可证书。

WRLEADING liferaft rubber fabric, with the first-class production equipment and unique manufacturing technique, also plus the rich experience staff provide powerful guarantee to our rubber fabric quality and performance.

WRLEADING liferaft rubber fabric experiences the strict test under adverse circumstances. Meanwhile, have the lead to get type approval certificate from China Classification Society.



## 认可标准

- 1974年《国际海上人命安全公约》及修正案，第III章，第4、34条。
- MSC.48(66)《国际救生设备规则》第I章。
- MSC.81(70)《经修正的救生设备实验建议》第1部分，第5节及MSC.323(89)。

## APPROVAL STANDARD

- Regulation 4、34, Chapter III of SOLAS 1974, as amended.
- Chapter I of MSC.48(66) International Life-saving Appliance Code.
- Sections V of Parts 1 of MSC.81(70) Revised Recommendation on Testing of Life-saving Appliances and MSC.323(89).

## 全球化的服务网络 GLOBAL SERVICE NETWORK

对船舶和海上的设施而言，选择产品的全球化服务网络与选择产品的本身质量同样重要。

WRLEADING 是一家全球性的一站式救生设备产品解决方案供应商。我们质量优异的产品和富有竞争力的价格，加上完备的全球化售后服务网络能够为您提供专业的救生设备产品及服务。

我们的357家授权服务站严格按照WRLEADING 全球统一的要求，为您提供高质量的服务。经过认证的服务体系，先进的检修设备，迅捷的配件供应能力和持续更新的网络信息强有力地支持着我们的服务网络。

根据SOLAS的要求，救生设备必须每年在厂家授权的服务站进行年检。

如需帮助，请联系当地的WRLEADING 授权服务站。

For the ship and offshore facility, Selection the global service network Selection the global service network i

WRLEADING is a global one-stop life-saving equipment solution supplier. Our high-quality products, competitive price service network can provide you with professional life-saving equipment and service.

Our 357 authorized service stations will provide you with high-quality service according to the global unified requirements of WRLEADING. The certified service system, advanced troubleshooting equipment, fast supply of fittings and continuous network information updating powerfully support our service network.

According to the WRLEADING requirement, the life-saving equipment should be annual serviced in the service station authorized by the factory.

Please contact local authorized service station of WRLEADING if you need help.



# L-A

## 抛投式气胀救生筏

### THROW OVER BOARD INFLATABLE LIFERAFT

标准规格 / specification: 6、10、15、20、25

认可机构 / approval: CCS

最大存储高度 / Storage Height: 36m

存储温度 / Storage temperature range:  
-30℃ to 65℃

抛投式气胀救生筏放置在甲板上的救生筏容器内；  
当控制绳被拉开时，救生筏在水中充气打开。

The throw over board inflatable liferaft is stowed in the container on the deck. Pulling the painter line, the liferaft inflates in the water.



存放筒 / Container							
参数/Parameter (Size/mm, G.W./Kg)							
SAP Number	产品型号 Model	SOLAS A PACK			SOLAS B PACK		
		D	L	G.W.	D	L	G.W.
L0220045	L-A6	580	1100	80	540	1040	65
L0220046	L-A8	580	1100	80	540	1040	65
L0220047	L-A10	600	1200	100	580	1100	70
L0220048	L-A12	600	1200	105	580	1100	75
L0220049	L-A15	660	1400	130	620	1250	90
L0220050	L-A16	660	1400	130	620	1250	95
L0220051	L-A20	680	1400	160	660	1400	110
L0220052	L-A25	700	1400	185	680	1400	125
L0220053	L-A30	780	1600	200	680	1400	135

救生筏 / liferaft				
尺寸/size (mm)				
SAP Number	产品型号 Model	L	W	H
L0220045	L-A6	-	2260	1250
L0220046	L-A8	-	2445	1300
L0220047	L-A10	-	2730	1300
L0220048	L-A12	-	2950	1400

救生筏 / liferaft				
尺寸/size (mm)				
SAP Number	产品型号 Model	L	W	H
L0220049	L-A15	4000	2600	1400
L0220050	L-A16	4100	2650	1400
L0220051	L-A20	4600	3000	1500
L0220052	L-A25	5000	3300	1600
L0220053	L-A30	5480	3480	2000

注：标准规格中10、15、20、25人同时获得中国渔船形式认可证书

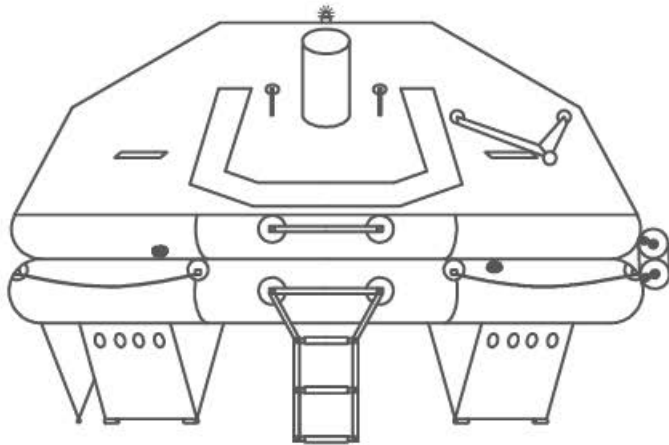
**Note:** Regarding L-A10、15、20 and 25 are also type approved by register of fishing vessel of China.



# L-A(CE)

## 抛投式气胀救生筏(CE)

### THROW OVER BOARD INFLATABLE LIFERAFT (CE)



标准规格/specification: 6、10、15、20、25

认可机构/approval: DNV · GL/EC

认证机构编号/NOTIFIED BODY No.: 0098

最大存储高度/Storage Height: 36m

存储温度/Storage temperature range: -30℃ to 65℃



1996年12月船用设备指令96/98/EC

MARINE EQUIPMENT DIRECTIVE 96/98/EC OF 20 DECEMBER 1996

存放筒 / Container		救生筏 / liferaft			救生筏 / liferaft		
参数 / Parameter (Size/mm, G.W./Kg)							
SAP Number	产品型号 Model	SOLAS A PACK			SOLAS B PACK		
		D	L	G.W.	D	L	G.W.
L0220016	L-A6-EC	580	1100	80	540	1040	65
L0220017	L-A10-EC	600	1200	100	580	1100	70
L0220018	L-A15-EC	660	1400	130	620	1250	90
L0220019	L-A20-EC	680	1400	160	660	1400	110
L0220020	L-A25-EC	700	1400	185	680	1400	125
尺寸 / size (mm)							
SAP Number	产品型号 Model	尺寸 / size (mm)					
		L	W	H			
L0220016	L-A6-EC	-	2260	1250			
L0220017	L-A10-EC	-	2730	1300			
L0220018	L-A15-EC	4000	2600	1400			
L0220019	L-A20-EC	4600	3000	1500			
L0220020	L-A25-EC	5000	3300	1600			



注：气胀救生筏会配备静水压力释放器，以确保在手动未来得及打开的情况下救生筏能被自动打开。

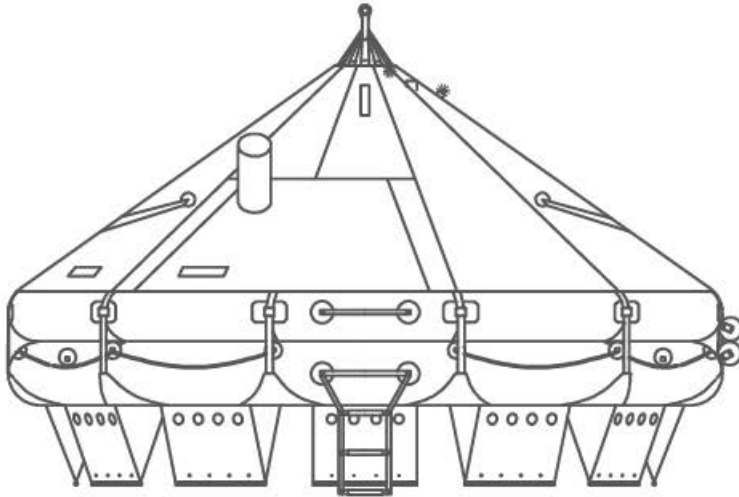
Note: The inflatable liferaft will be equipped with hydrostatic release unit in order to inflate automatically, if it can't be opened by manual.



# L-D

## 可吊式气胀救生筏

### DAVIT LAUNCHED INFLATABLE LIFERAFT



标准规格/specification: 15、20、25人

认可机构/approval: CCS、DNV·GL/EC

认证机构编号/NOTIFIED BODY No.: 0098

最大存储高度/Storage Height: 36m

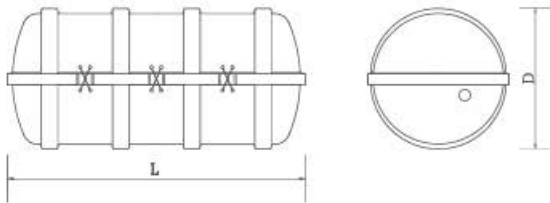
存储温度/Storage temperature range: -30℃ to 65℃



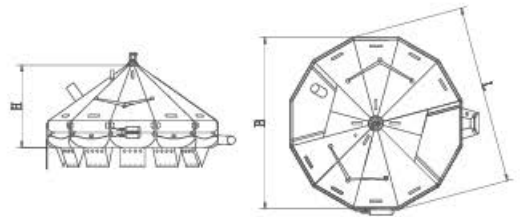
1996年12月船用设备指令96/98/EC

MARINE EQUIPMENT DIRECTIVE 96/98/EC OF 20 DECEMBER 1996

存放筒 / Container



救生筏 / liferaft



参数 / Parameter (Size/mm, G.W./Kg)

SAP Number	产品型号 Model	SOLAS A PACK			SOLAS B PACK		
		D	L	G.W.	D	L	G.W.
L0220021	L-D15	680	1400	165	660	1400	120
L0220022	L-D20	700	1460	185	680	1400	140
L0220023	L-D25	750	1460	205	700	1460	160

尺寸 / size (mm)

SAP Number	产品型号 Model	L	W	H
L0220019	L-A20-EC	4600	3000	1500
L0220020	L-A25-EC	5000	3300	1600

注：可吊式气胀救生筏释放时先吊在甲板上的筏吊上，然后打开充气，乘员进入筏中，最后再释放下降到水面。

若未来得及在甲板上打开充气，可吊式气胀救生筏也可作为抛投式气胀救生筏使用。

**Note:** The davit launched inflatable liferaft is hung on the liferaft crane, and inflated, boating into the liferaft, finally it will be descend to the water.

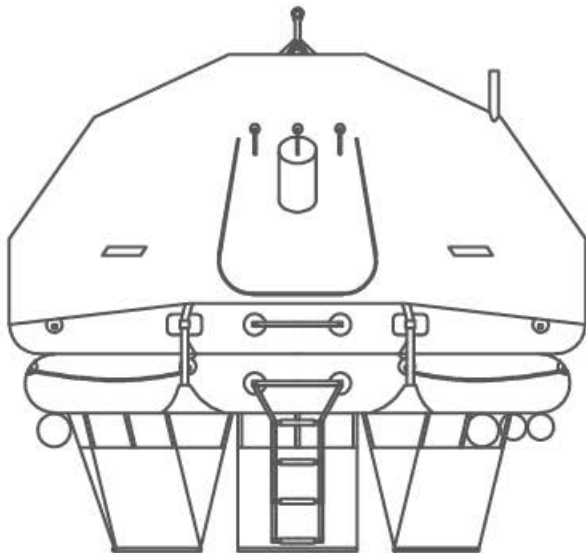
If it can't be inflated on time on the deck, the Davit launched liferaft is also considered as the throw over board liferaft.



# L-DSR

## 可吊式自扶正气胀救生筏

AUTOMATICALLY SELF-RIGHTING DAVIT LAUNCHED INFLATABLE LIFERAFT



标准规格/specification: 12、15、16、20、25、37人

认可机构/approval: CCS、DNV · GL/EC

认证机构编号/NOTIFIED BODY No.: 0098

最大存储高度/Storage Height: 36m

存储温度/Storage temperature range: -30℃ to 65℃



1996年12月船用设备指令96/98/EC

MARINE EQUIPMENT DIRECTIVE 96/98/EC OF 20 DECEMBER 1996

存放筒 / Container							
参数 / Parameter ( Size/mm, G.W./Kg )							
SAP Number	产品型号 Model	SOLAS A PACK			SOLAS B PACK		
		D	L	G.W.	D	L	G.W.
L0220024	L-DSR12	680	1400	140	660	1400	120
L0220025	L-DSR15	750	1460	165	700	1460	130
L0220026	L-DSR16	750	1460	175	700	1460	140
L0220027	L-DSR20	780	1600	205	750	1460	160
L0220028	L-DSR25	780	1600	255	750	1460	200
L0220029	L-DSR37	850	1800	370	780	1600	295

救生筏 / liferaft					
尺寸 / size ( mm )					
SAP Number	产品型号 Model	L	W	H	
L0220024	L-DSR12	3600	2450	1800	
L0220028	L-DSR25	4860	3370	2100	
L0220029	L-DSR37	6330	3660	2300	

救生筏 / liferaft					
尺寸 / size ( mm )					
SAP Number	产品型号 Model	L	W	H	
L0220025	L-DSR15	4000	2670	1960	
L0220026	L-DSR16	4100	2720	2050	
L0220027	L-DSR20	4550	3050	2180	



注：具有自扶正功能气胀救生筏自动恢复到平正位置的试验。

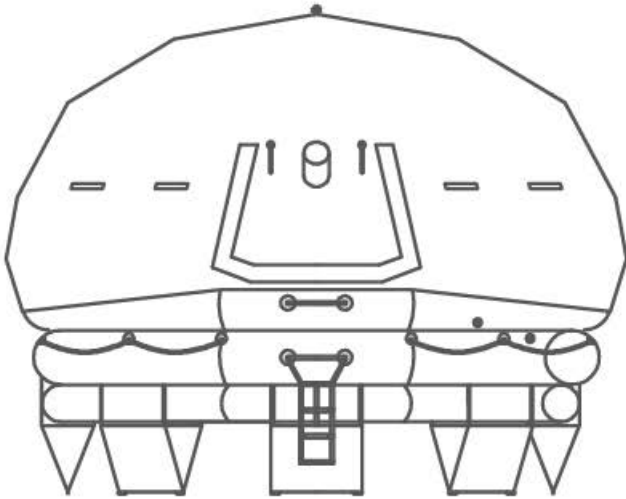
Note: The test for the self-righting liferaft recovering to the upright position automatically.



# L-SR

## 自扶正气胀救生筏

### AUTOMATICALLY SELF-RIGHTING INFLATABLE LIFERAFT



标准规格/specification:

6、8、10、12、15、16、20、25、30、35、37、50、65、100、125人

认可机构/approval: CCS、DNV·GL/EC

认证机构编号/NOTIFIED BODY No.: 0098



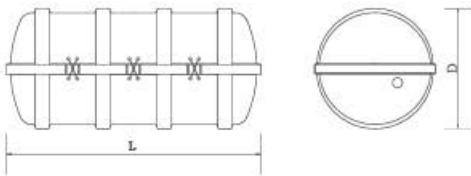
最大存储高度/Storage Height: 36m (except 125p 26m)

存储温度/Storage temperature range: -30°C to 65°C

1996年12月船用设备指令96/98/EC

MARINE EQUIPMENT DIRECTIVE 96/98/EC OF 20 DECEMBER 1996

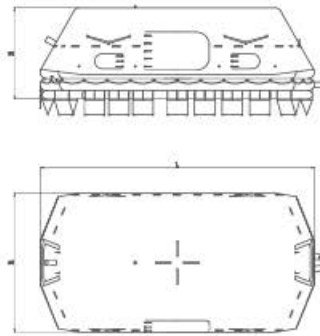
存放筒 / Container



参数 / Parameter (Size/mm, G.W./Kg)

SAP Number	产品型号 Model	SOLAS A PACK			SOLAS B PACK		
		D	L	G.W.	D	L	G.W.
L0220030	L-SR6	600	1200	90	580	1100	75
L0220031	L-SR8	660	1400	110	600	1200	90
L0220032	L-SR10	660	1400	120	600	1200	95
L0220033	L-SR12	680	1400	135	660	1400	115
L0220034	L-SR15	700	1460	160	660	1400	120
L0220035	L-SR16	700	1460	170	660	1400	135
L0220036	L-SR20	750	1460	200	700	1460	150
L0220037	L-SR25	780	1600	230	750	1460	165
L0220038	L-SR30	820	1700	270	780	1600	200
L0220039	L-SR35	820	1700	310	780	1600	220
L0220040	L-SR37	820	1700	315	780	1600	225
L0220041	L-SR50	850	1800	395	820	1880	275
L0220042	L-SR65	950	1900	500	850	1800	355
L0220043	L-SR100	1100	2200	820	1050	2100	615
L0220044	L-SR125	1200	2400	900	1100	2200	620

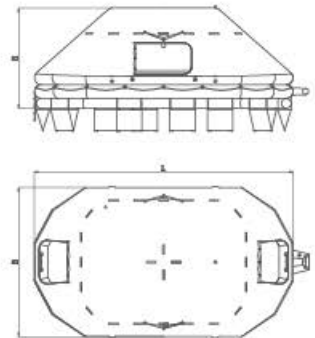
救生筏 / liferaft



尺寸 / size (mm)

SAP Number	产品型号 Model	L	W	H
L0220030	L-SR6	2620	1790	1355
L0220031	L-SR8	3000	2030	1520
L0220032	L-SR10	3290	2240	1680
L0220033	L-SR12	3600	2450	1800
L0220040	L-SR37	6330	3660	2300
L0220043	L-SR100	10760	5180	3260

救生筏 / liferaft



尺寸 / size (mm)

SAP Number	产品型号 Model	L	W	H
L0220034	L-SR15	4000	2670	1900
L0220035	L-SR16	4100	2720	2050
L0220036	L-SR20	4550	3050	2100
L0220037	L-SR25	5050	3350	2250
L0220038	L-SR30	5500	3620	2410
L0220039	L-SR35	6050	3750	2540
L0220041	L-SR50	7330	4180	2885
L0220042	L-SR65	8250	4760	3200
L0220044	L-SR125	12000	5800	3480

注：自扶正气胀救生筏能够确保无论以怎样的的状态进入水中，它都能自动恢复到正浮位置。

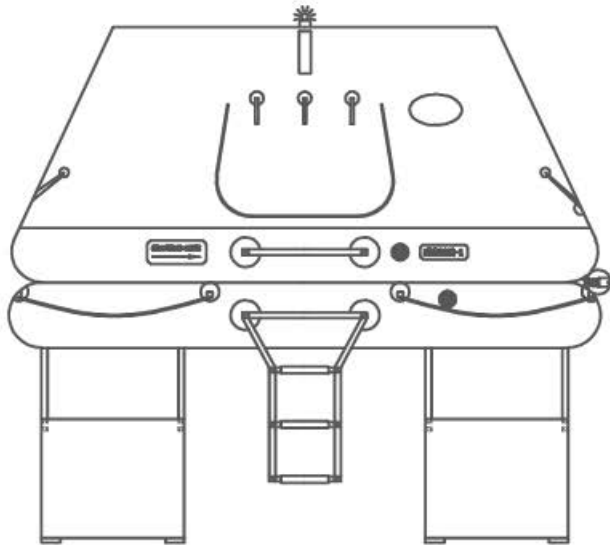
Note: The Automatically self-righting inflatable liferaft ensure that no matter how the liferaft lands in the water it will always right itself ready for boarding.



# L-YT

## 游艇气胀救生筏

### YACHT INFLATABLE LIFERAFT



标准规格/specification 4、6、8、10、12

认可机构/approval: DNV · GL/EC

产品适用范围: 游艇

APPLICATION OF THE PRODUCT: Yacht

认可标准:


ISO 9650-1: 2005(E) & ISO 9650-3: 2005(CE)

ISO 9650-2: 2005(E) & ISO 9650-3: 2005(CE)

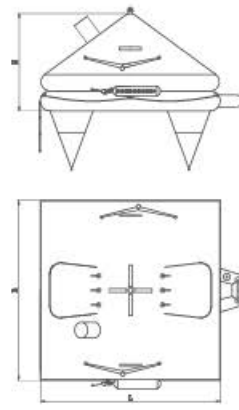
APPROVAL STANDAND

ISO 9650-1: 2005(E) & ISO 9650-3: 2005(CE)

ISO 9650-2: 2005(E) & ISO 9650-3: 2005(CE)

硬包装 / Rigid Pack					
					
尺寸 / size (mm)					
SAP Number	产品型号 Model	L	W	H	G.W.
L0220054	L-YTI-4	780	535	360	51
L0220055	L-YTI-6	780	535	390	66
L0220056	L-YTI-8	880	630	350	74
L0220057	L-YTI-10	880	630	380	88
L0220058	L-YTI-12	880	630	470	96
L0220059	L-YTII-4	730	485	280	34
L0220060	L-YTII-6	730	485	300	40
L0220061	L-YTII-8	780	535	390	50
L0220062	L-YTII-10	780	530	390	52

软包装 / Soft Pack					
					
尺寸 / size (mm)					
SAP Number	产品型号 Model	L	W	H	G.W.
L0220054	L-YTI-4	730	480	360	42
L0220055	L-YTI-6	740	490	400	49
L0220056	L-YTI-8	780	520	360	60
L0220057	L-YTI-10	800	540	360	71
L0220058	L-YTI-12	860	600	460	79
L0220059	L-YTII-4	600	430	280	24
L0220060	L-YTII-6	650	450	320	29
L0220061	L-YTII-8	700	480	320	33
L0220062	L-YTII-10	750	480	340	36

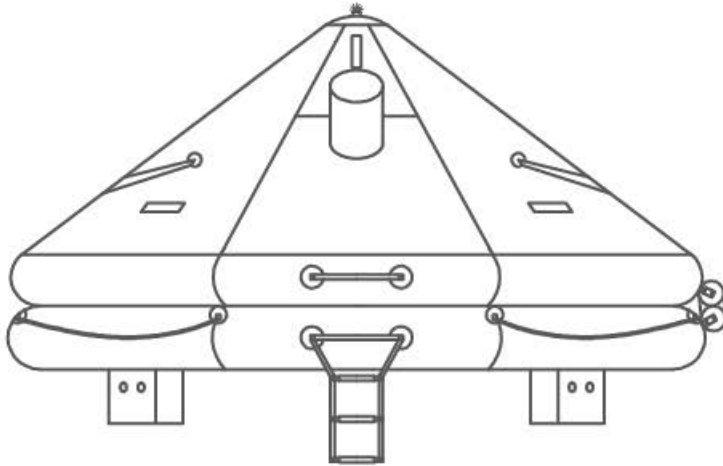
救生筏 / liferaft				
				
尺寸 / size (mm)				
SAP Number	产品型号 Model	L	W	H
L0220054	L-YTI-4	1680	1680	1200
L0220055	L-YTI-6	1980	1980	1250
L0220056	L-YTI-8	2250	2250	1300
L0220057	L-YTI-10	2490	2490	1350
L0220058	L-YTI-12	2700	2700	1400
L0220059	L-YTII-4	1460	1460	1150
L0220060	L-YTII-6	1740	1740	1200
L0220061	L-YTII-8	1960	1960	1250
L0220062	L-YTII-10	2160	2160	1300



# L-Y、YJ

## 渔用气胀救生筏

### FISHING INFLATABLE LIFERAFT



标准规格/specification

渔用气胀救生筏/Fishing : 10、12、15、20、25人

渔用简易气胀救生筏/Simple Fishing: 6、10人

认可机构/Approval: ZY

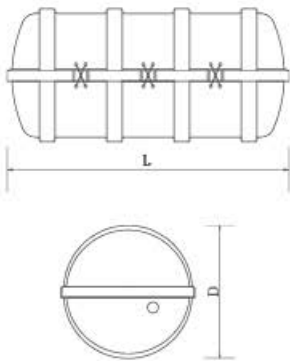
产业适用范围: 渔业船舶

APPLICATION OF THE PRODUCT: Fishing

认可标准: 《渔业船舶法定检验规则》

APPROVAL STANDARD:  
Rules of Statutory Survey of Fishing Vessel

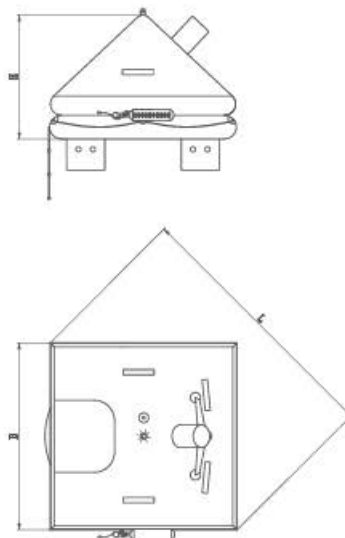
存放筒 / Container



参数 / Parameter (Size/mm, G.W./Kg)

SAP Number	产品型号 Model	SOLAS A PACK		
		D	L	G.W.
L0220063	L-YJ6	460	790	35
L0220064	L-YJ10	520	810	45
L0220065	L-Y10	540	1040	65
L0220066	L-Y12	540	1040	70
L0220067	L-Y15	600	1200	85
L0220068	L-Y20	620	1250	95
L0220069	L-Y25	660	1400	115

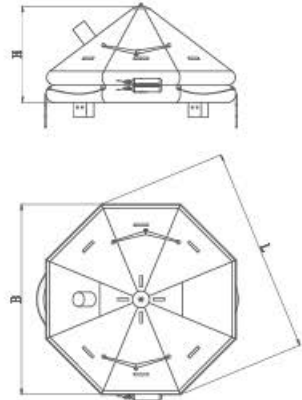
救生筏 / liferaft



尺寸/size (mm)

SAP Number	产品型号 Model	L	W	H
L0220063	L-YJ6	-	1810	1200

救生筏 / liferaft



尺寸/size (mm)

SAP Number	产品型号 Model	L	W	H
L0220064	L-YJ10	-	2490	1250
L0220065	L-Y10	-	2574	1300
L0220066	L-Y12	-	2787	1400
L0220067	L-Y15	-	3090	1500
L0220068	L-Y20	-	3510	1800
L0220069	L-Y25	-	3950	2000





WRLEADING

**We are proud  
our business is saving life.**







# WRLEADING 海上撤离系统中国首创

WRLEADING MARINE EVACUATION SYSTEM  
A CREATION IN CHINA

WRLEADING 海上撤离系统包括倾斜式、垂直式系列，其中垂直式分单通道和双通道形式；系统水线以上最大存放高度为22米，最大核准人数为600人。

WRLEADING 海上撤离系统长期存放在甲板上的不锈钢容器内，当释放拉手被拉开海上撤离系统自动滑落至水面充胀成型。

WRLEADING 海上撤离系统独特的设计和对创新优质材料的选用确保了系统的可靠性，同时系统经过极限试验条件下的严格试验，获得多国船级社的型式认可书。

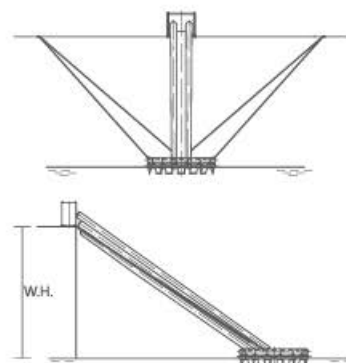
WRLEADING Marine Evacuation System includes inclined type and vertical type series. Of which the vertical type is divided into single and dual chute. The maximum stowage height is 22 meters above the waterline. The maximum assigned capacity is 600 persons.

WRLEADING Marine Evacuation System will be stowed in the stainless steel container on the deck. When releasing the handle, the MES will slide into the water and inflate into form.

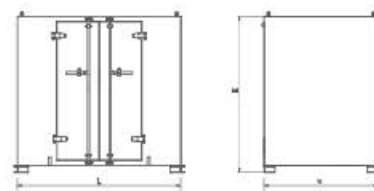
The unique design and selection of good quality innovative material of WRLEADING Marine Evacuation System guarantee the reliability of the system. Meanwhile the system was carried out the strict test under the extreme condition. We also got type approval certificates from several different Classification Societies.



展开示意图



容器



型式：倾斜式单滑道  
产品适用范围：国际航行船舶  
平台容纳人数：50/63人  
系统核准人数：250/315人  
认可机构：中国船级社

TYPE: Inclined single slide chute  
Application of the product: International Voyage Ships  
Capacity of platform: 50/63 persons  
Capacity of the system: 250/315 persons  
Approval: CCS





# L-MES-VP-300

## 海上撤离系统

### MARINE EVACUATION SYSTEM

型式：垂直式单通道

产品适用范围：国际航行船舶

平台容纳人数：60人

系统核准人数：300人

认可机构：中国船级社

TYPE: Chute Vertical Passage

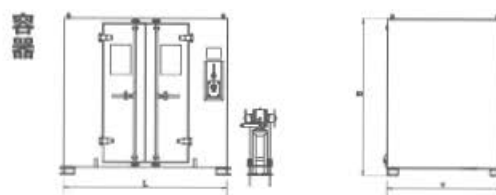
Application of the product: International Voyage Ships

Capacity of platform : 60 persons

Capacity of the system: 300 persons

Approval: CCS

展开示意图



# L-MES-VP-600

## 海上撤离系统

### MARINE EVACUATION SYSTEM

型式：垂直式双通道

产品适用范围：国际航行船舶

平台容纳人数：120人

系统核准人数：600人

认可机构：中国船级社

TYPE: Double Chute Vertical Passage

Application of the product: International Voyage Ships

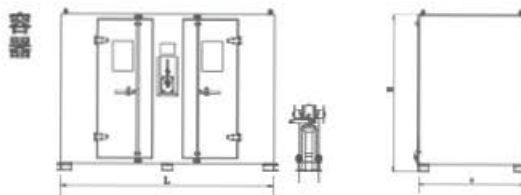
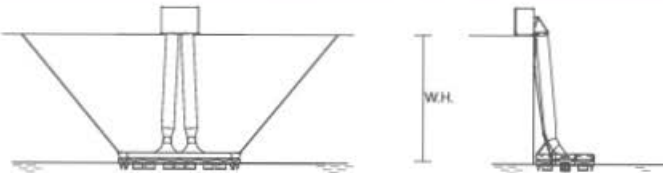
Capacity of platform: 120 persons

Capacity of the system: 600 persons

Approval: CCS



展开示意图





## 气胀救生筏存放架 INFLATABLE LIFERAFT CRADLE

平抛式 / Flat	斜抛式 / Inclined
斜抛式 / 一架二筏 Inclined / One cradle for two liferafts	斜抛式 / 一架三筏 Inclined / One cradle for three liferafts
层叠式 / 一架二筏 Laminated / One cradle for two liferafts	层叠式 / 一架三筏 Laminated / One cradle for three liferafts

注：救生筏存放架包括平抛式、斜抛式和层叠式等多个系列，可根据甲板要求量身定制。

Note : Liferaft Cradle includes flat, inclined and laminated series .It can be tailor made according to the deck requirement.



# 气胀救生筏备品属具配备表

## INFLATABLE LIFERAFT EQUIPMENT LIST



NO.	名称 Descriptions	数量 Quantity	SOLAS PACK		HSC
			A	B	
1	急救医药包 / First aid kit	1	√	√	√
2	火箭降落伞火焰信号 / Rocket parachute flares	4	√	1/2	—
3	手持火焰信号 / Hand flares	6	√	1/2	1/2
4	漂浮烟雾信号 / Buoyant smoke signal	2	√	1/2	—
5	口粮 (千克/人) / Ration (Kg/person)	0.5	√	—	—
6	淡水 (升/人) / Water (L/person)	1.5	√	—	—
7	手电筒 / Electric torch	1	√	√	√
8	可浮水瓢 / Buoyant bailer*	1	√	√	√
9	划桨 / Buoyant paddle	2	√	√	√
10	海绵 / Sponge	2	√	√	√
11	海锚 / Sea-anchor	2	√	√	√
12	开罐器 / Tin-opener	3	√	—	—
13	哨笛 / Whistles	1	√	√	√
14	雷达反射器 / Radar reflector	1	√	√	—
15	日光信号镜 / Daylight signaling mirror	1	√	√	—
16	钓鱼用具 / Fishing tackle	1	√	—	—
17	保温用具 / Thermal protective aids**	2	√	√	—
18	饮用量杯 / Graduated drinking vessel	1	√	—	—
19	清洁袋 (只/人) / Seasickness bag(pc/person)	1	√	√	—
20	救生须知 / Instruction on how to survive	1	√	√	√
21	充气器 / Hand bellow	1	√	√	√
22	可浮拯救环 / Rescue quoit and line	1	√	√	2
23	可浮水手刀 / Safety knife**	1	√	√	2
24	修理工具袋 / Repair outfit	1	√	√	√
25	晕船药片 (片/人) / Anti-seasickness medicine(capsule/person)	12	√	√	—
26	经历簿 / Log book	1	√	√	√
27	紧急行动卡 / Instruction for immediate action card	1	√	√	2
28	使用说明书 / Instruction manual	1	√	√	√

\*额定乘员≥13人时配备2只。There are 2pcs if the assigned capacity ≥13 persons.

\*\*需满足额定乘员的10%。It should be in compliance with the 10% of the assigned capacity.



微信公众号



新浪微博公众号

## 领海海事（香港）有限公司 LEADING MARINE (HK) CO., LIMITED.

座机/Tel: +86 21 58810867

传真/Fax: +86 21 58810863

邮箱/Email: [info@wrleading.com](mailto:info@wrleading.com)

网站/Web: [www.wrleading.com](http://www.wrleading.com)

地址: 上海市闵行区浦江镇新骏环路188号8A栋2楼

Add: Flat 2, Building 8A, No.188 New Junhuan Road.Minhang District, Shanghai, China